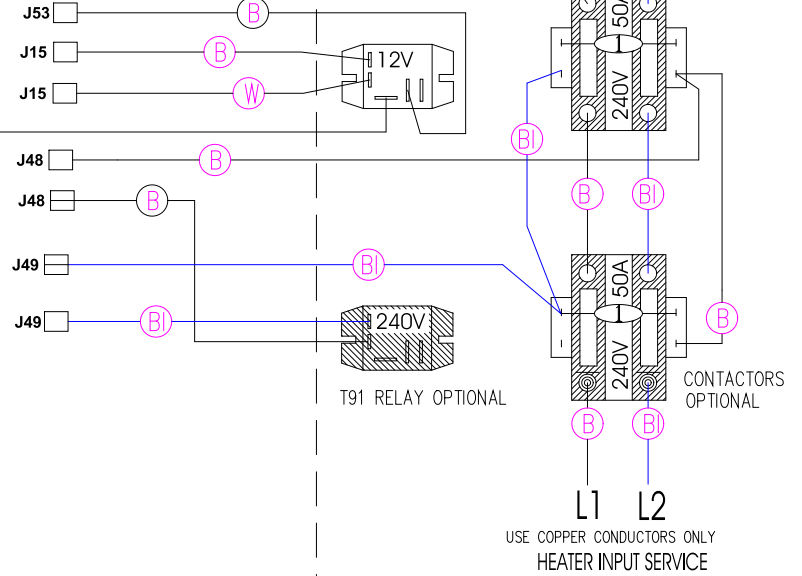


SPA CONTROL BOARD CATEGORY WAW02
RATED AT 240V MAX. 50/60HZ

PC BOARD

ELECTRIC HEATER OPTION
5.5KW OR 11.0KW

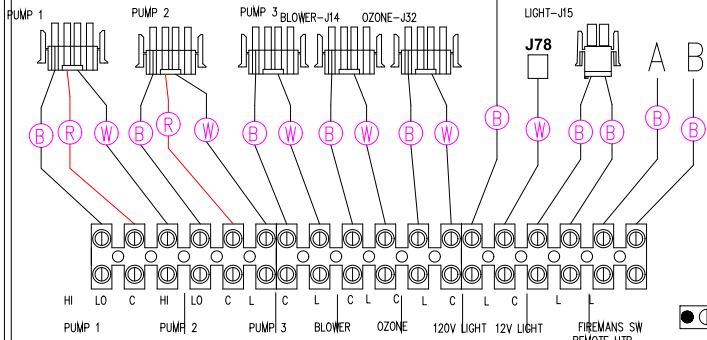
FLOW CONTROL TYPE
DEPENDANT ON
PLATFORM USED



GROUND

CONNECTIONS MAY VARY

120V Light Fuse
1A



COMPONENT CONNECTION STRIP - USE COPPER CONDUCTORS ONLY



ALL COMPONENTS MUST BE GROUNDED

EXPANDER
CARD FOR PUMP3

HYDRO-QUIP
CORONA, CA (951) 273-7575

Manufacture Notes:

Dwg. No.

Drawn
MO

Rev
01

Date

07.12.16

Diagram
No.

5188_UL

Wire Color Code

B - Black	G - Green
Br - Brown	BI - Blue
R - Red	V - Violet
O - Orange	W - White
Y - Yellow	Gr - Gray